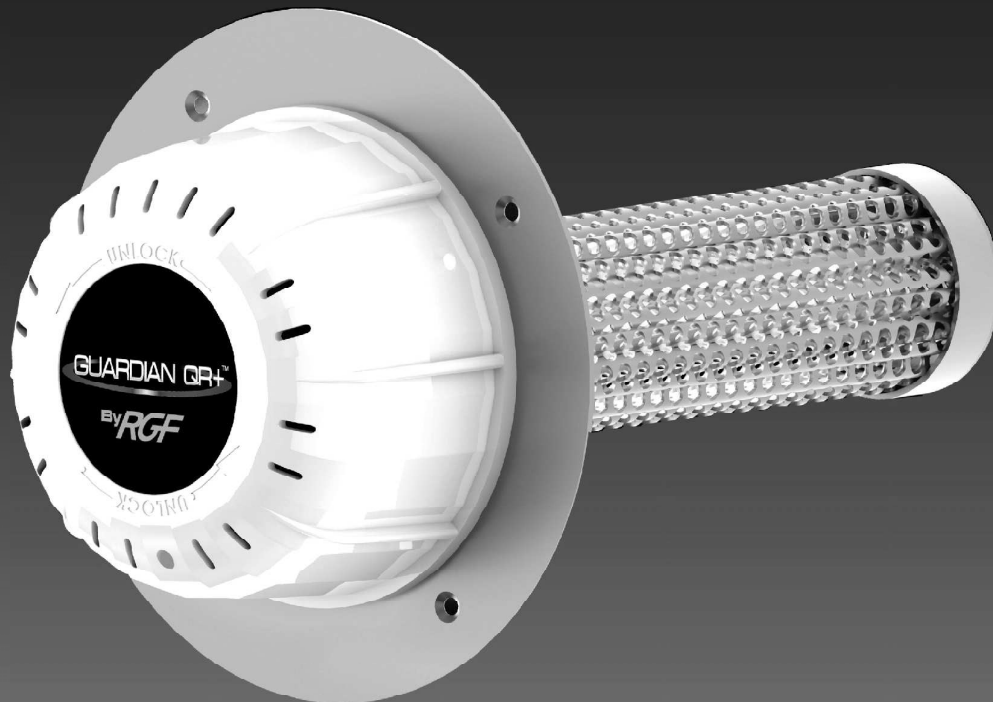


GUARDIAN QR+™

By **RGF**
ENVIRONMENTAL GROUP, INC.

- **Kills bacteria, mold and virus**
- **Reduces odors and VOCs (chemical odors)**
- **Easier, Faster, No Tool Cell Replacement**



Guardian Air™ does not need the pollutants to travel to the air handler for UV treatment or filtration. Guardian Air™ is proactive and sends ionized aggressive advanced oxidizers into the room to destroy the pollutants at the source, in the air and on surfaces, before they can reach your family, clients or employees.



Quick Release Feature

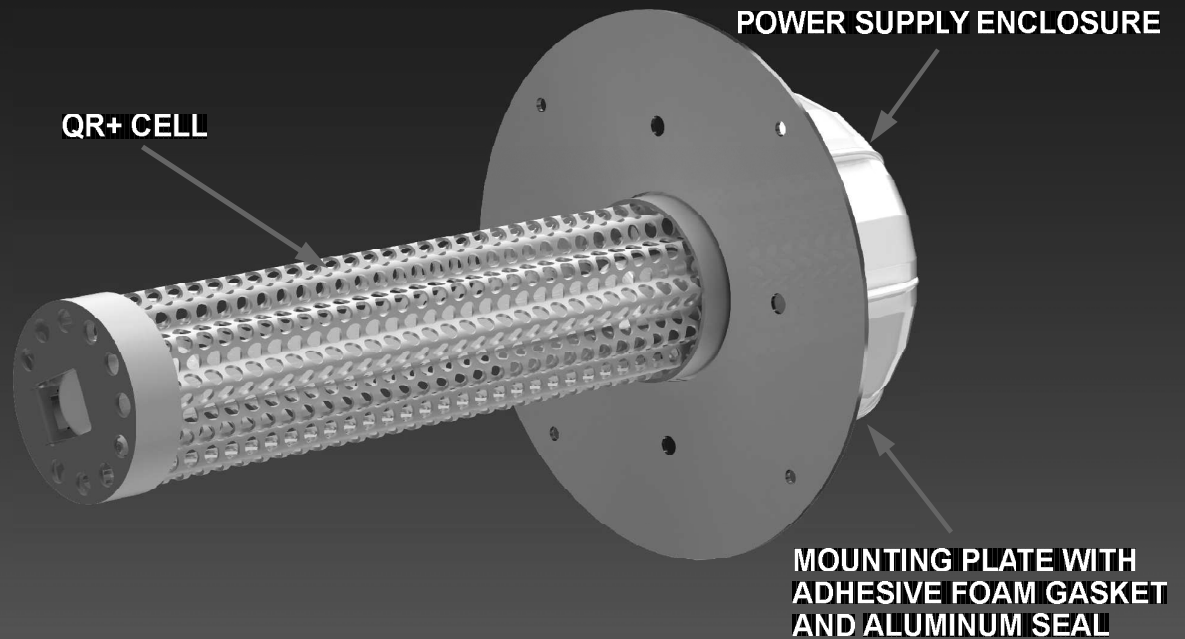
The Guardian Air QR+™ now features a quick release design for easy removal of the housing to allow easier servicing.



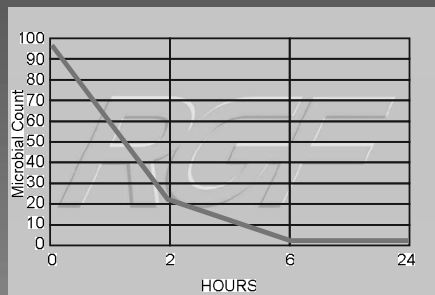
QR+ Cell Replacement

The Guardian Air QR+™ also features a quick release design for easy removal of the PHI Cell® as well.

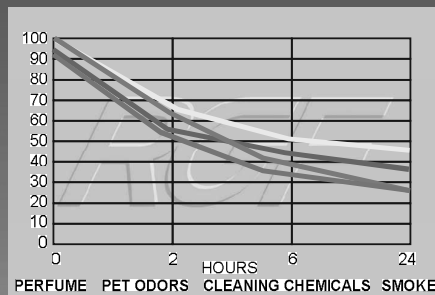
The Guardian Air QR+ by RGF® is designed to eliminate sick building syndrome risks by reducing odors, air pollutants, VOCs (chemical odors), mold, bacteria and viruses. The Guardian Air QR+ units are easily mounted into air conditioning and heating systems air ducts where most sick building problems start. When the HVAC system is in operation, the Guardian Air QR+ unit creates an Advanced Oxidation Plasma consisting of Ionized Hydro-peroxides, Super oxide ions and Hydroxide ions. All are friendly oxidizers. By friendly oxidizers, we mean oxidizers that revert back to oxygen and hydrogen after the oxidation of the pollutant.



MICROBIALS



ODORS



SPECIFICATIONS

•Hydroperoxide Ion distribution:	Distributed through air handler
•Super Oxide Ion distribution:	Distributed through air handler
•Hydroxide Ion distribution:	Distributed through air handler
•Installation:	Installed in HVAC duct or plenum
•Electrical:	24 VAC 0.7 Amps 17 Watts
•Materials:	Aluminum and Polymers
•QR+ Cell Replacement	Recommended after 25,000 hrs
•HVAC Blower Size	300 - 18,000 CFM



RGF Environmental Group, Inc.
 1101 West 13th Street (Port of Palm Beach Enterprise Zone)
 Riviera Beach, Florida 33404
 800 842-7771 fax 561 848-9454 www.rgfairpurification.com

Conforms to: UL 1598
 CAN/CSA C222
 EN60335-1, EN60335-2-65